

**GROVE**

FEDERSEILTROMMEL  
ROPE DRUM WITH RELEASE SPRING

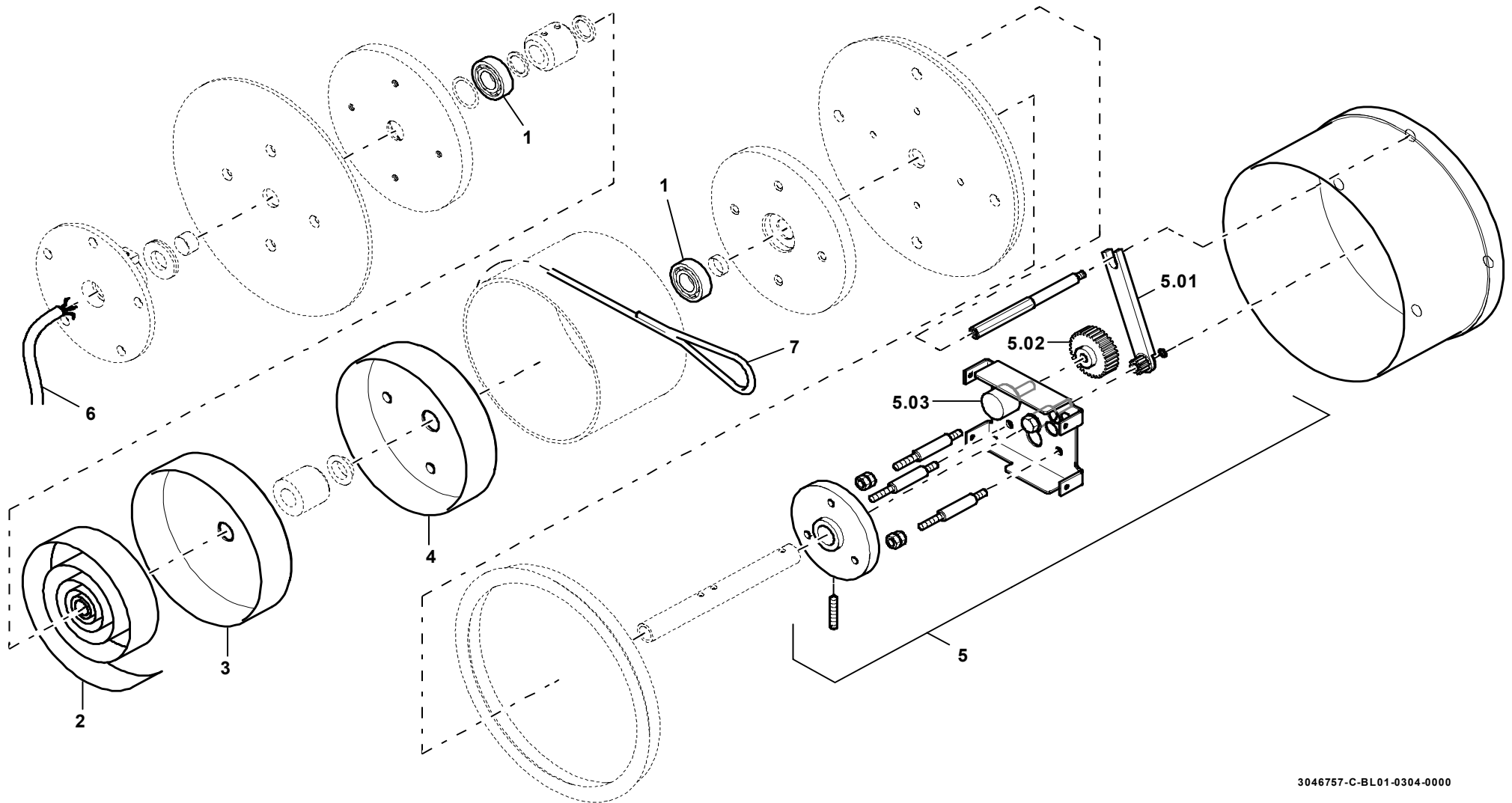
BILDTADEL  
PICTORIAL DISPLAY

**GMK 3050**

03.04

**3046757-ETL C**

1/1

**G 571**

3046757-C-BL01-0304-0000